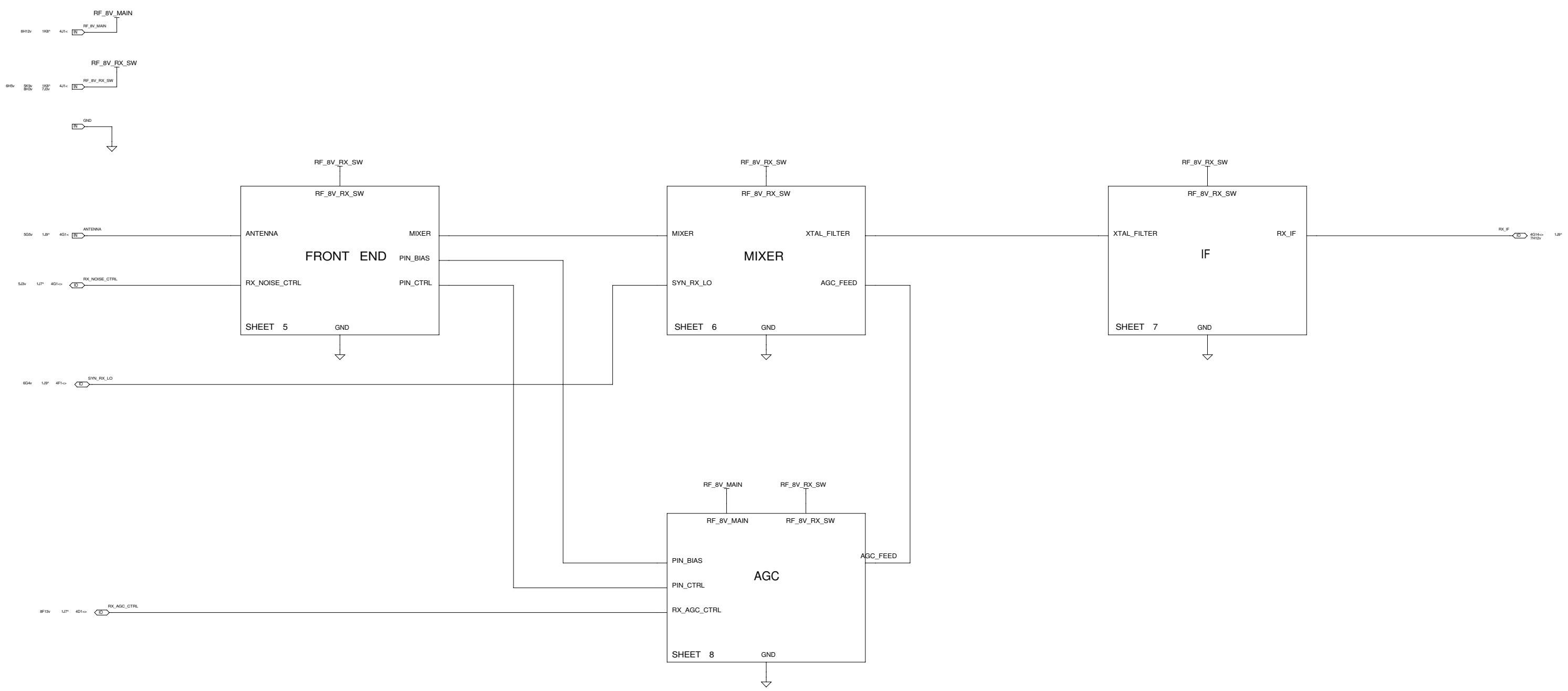


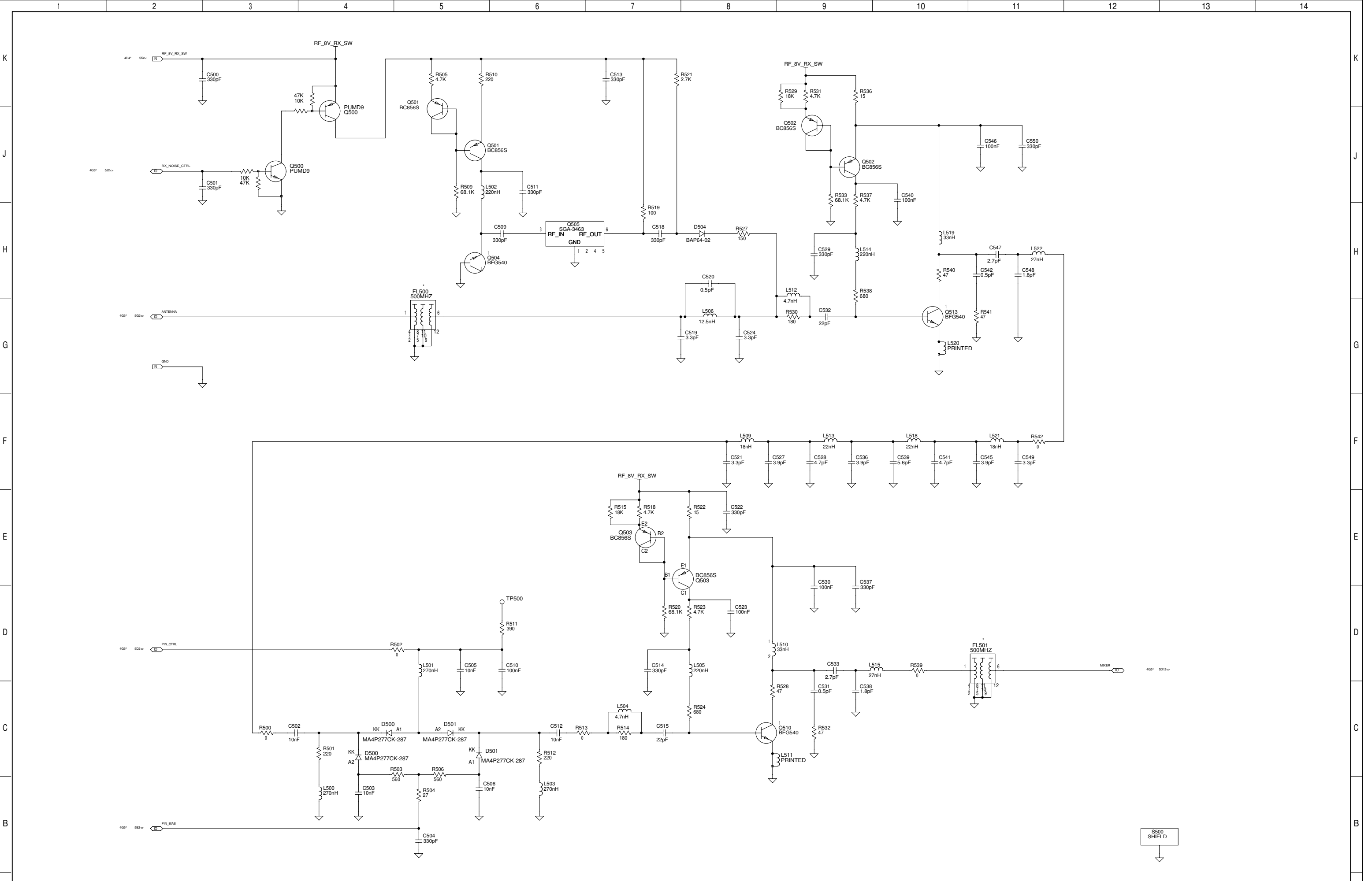
10A	UPDATED SYNTH CHIP FOR IC1004 AND IC1105	CJK	CK		CK	07NOV05
09A	COPIED FROM 226-00285-03 + HELICAL COIL UPDATE	CJK	CK		CK	06SEP05
REV/ISS	AMENDMENTS	DRAWN	CHKD	D.O.	APVD	DATE

© TAIT ELECTRONICS		A1
TB8000		
RECITER RF TOP LEVEL		
IPN:	ISSUE:	VARIANT NUMBER:
220-02025-10	A	XBAR40H3
FILE DATE:	Tue Nov 22 14:51:53 2005	
ENGINEER:	FILE NAME:	SHEET NUMBER:
S Heald	220_02025	1 OF 15



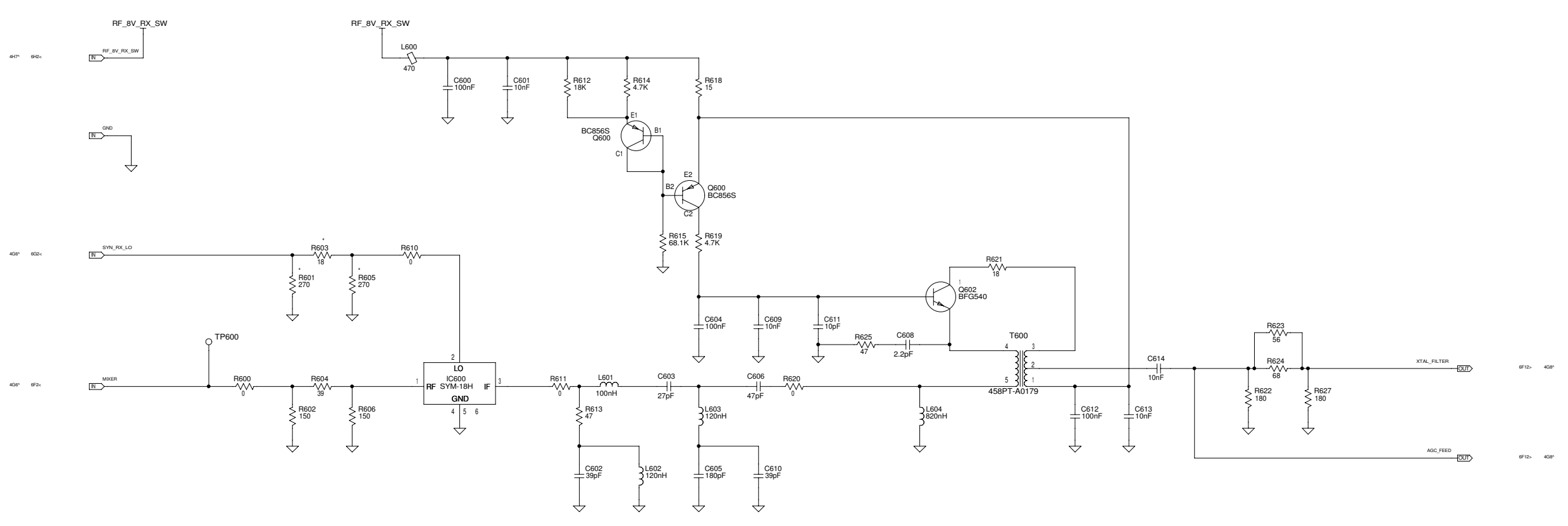
© TAIT ELECTRONICS		A1
TB8000 RECEIVER		
IPN: 220-02025-10	ISSUE: A	VARIANT NUMBER: XBAR40H3
FILE DATE: Tue Nov 22 14:53:11 2005		
ENGINEER: S Heald	FILE NAME: 220_02025	SHEET NUMBER: 4 OF 15

REV/ISS	AMENDMENTS	DRAWN	CHKD	D.O.	APVD	DATE
1						



© TAIT ELECTRONICS		A1
TB8000 FRONT END		
IPN: 220-02025-10	ISSUE: A	VARIANT NUMBER: XBAR40H3
FILE DATE: Tue Nov 22 14:53:59 2005		
ENGINEER: S Heald	FILE NAME: 220_02025	SHEET NUMBER: 5 OF 15

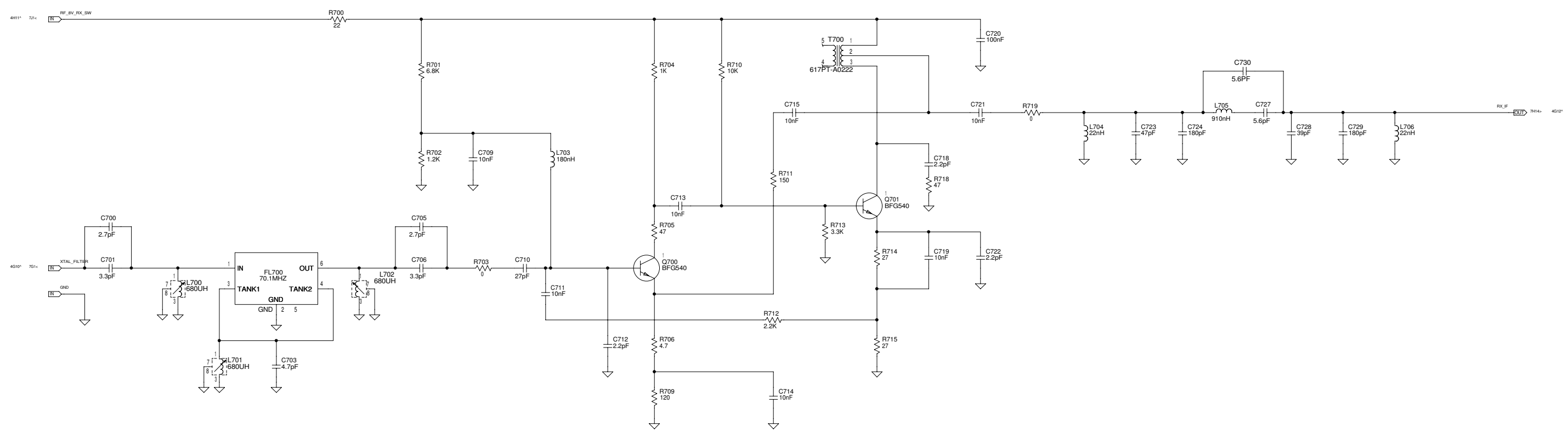
REV/ISS	AMENDMENTS	DRAWN	CHKD	D.O.	APVD	DATE
1						
2						
3						
4						
5						
6						
7						
8						
9						
10						
11						
12						
13						
14						



S600 SHIELD

© TAIT ELECTRONICS		A1
TB8000 MIXER		
IPN: 220-02025-10	ISSUE: A	VARIANT NUMBER: XBAR40H3
FILE DATE: Tue Nov 22 14:54:26 2005		
ENGINEER: S Heald	FILE NAME: 220_02025	SHEET NUMBER: 6 OF 15

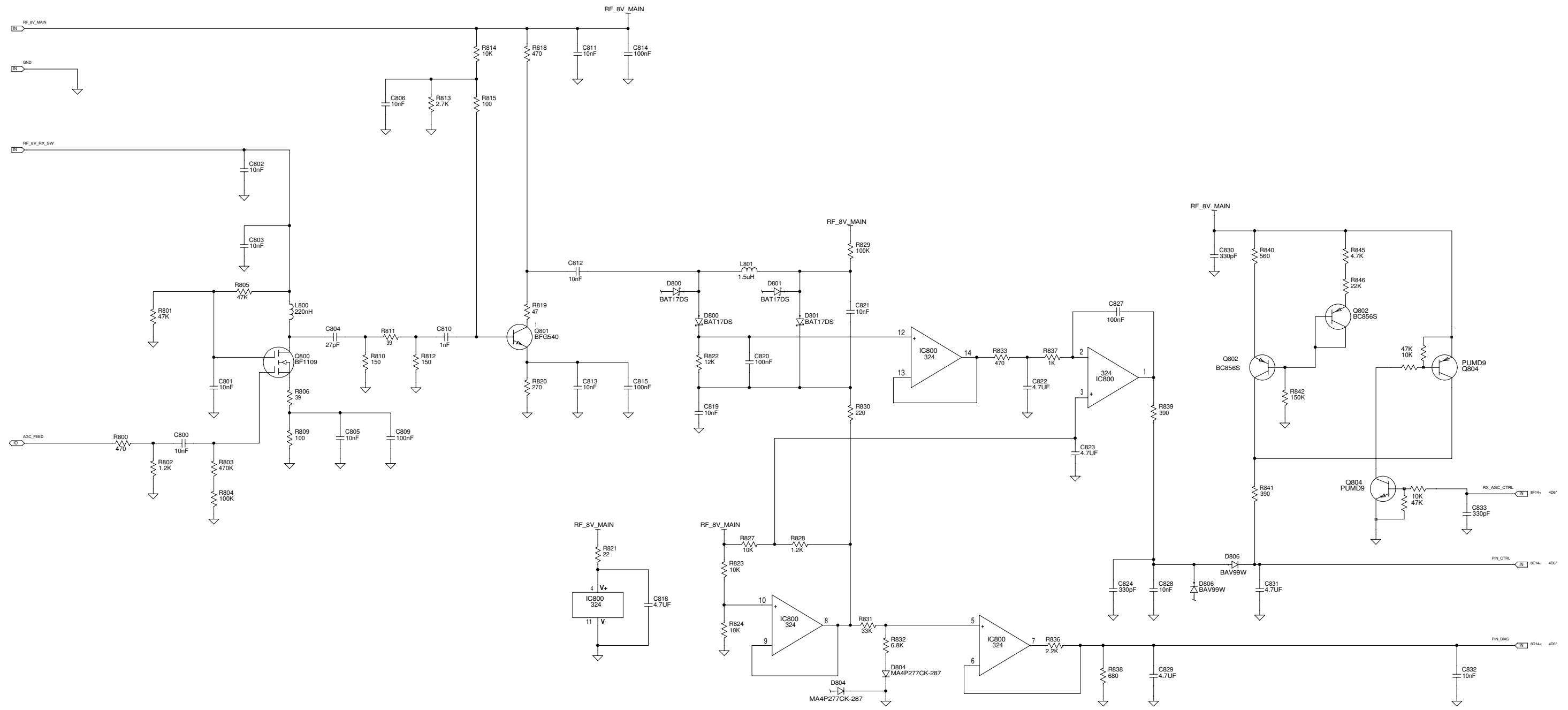
REV/ISS	AMENDMENTS	DRAWN	CHKD	D.O.	APVD	DATE
1						
2						
3						
4						
5						
6						
7						
8						
9						
10						
11						
12						
13						
14						



DNI
S700
SHIELD

© TAIT ELECTRONICS		A1
TB8000		
IF		
IPN: 220-02025-10	ISSUE: A	VARIANT NUMBER: XBAR40H3
FILE DATE: Tue Nov 22 14:54:45 2005		
ENGINEER: S Heald	FILE NAME: 220_02025	SHEET NUMBER: 7 OF 15

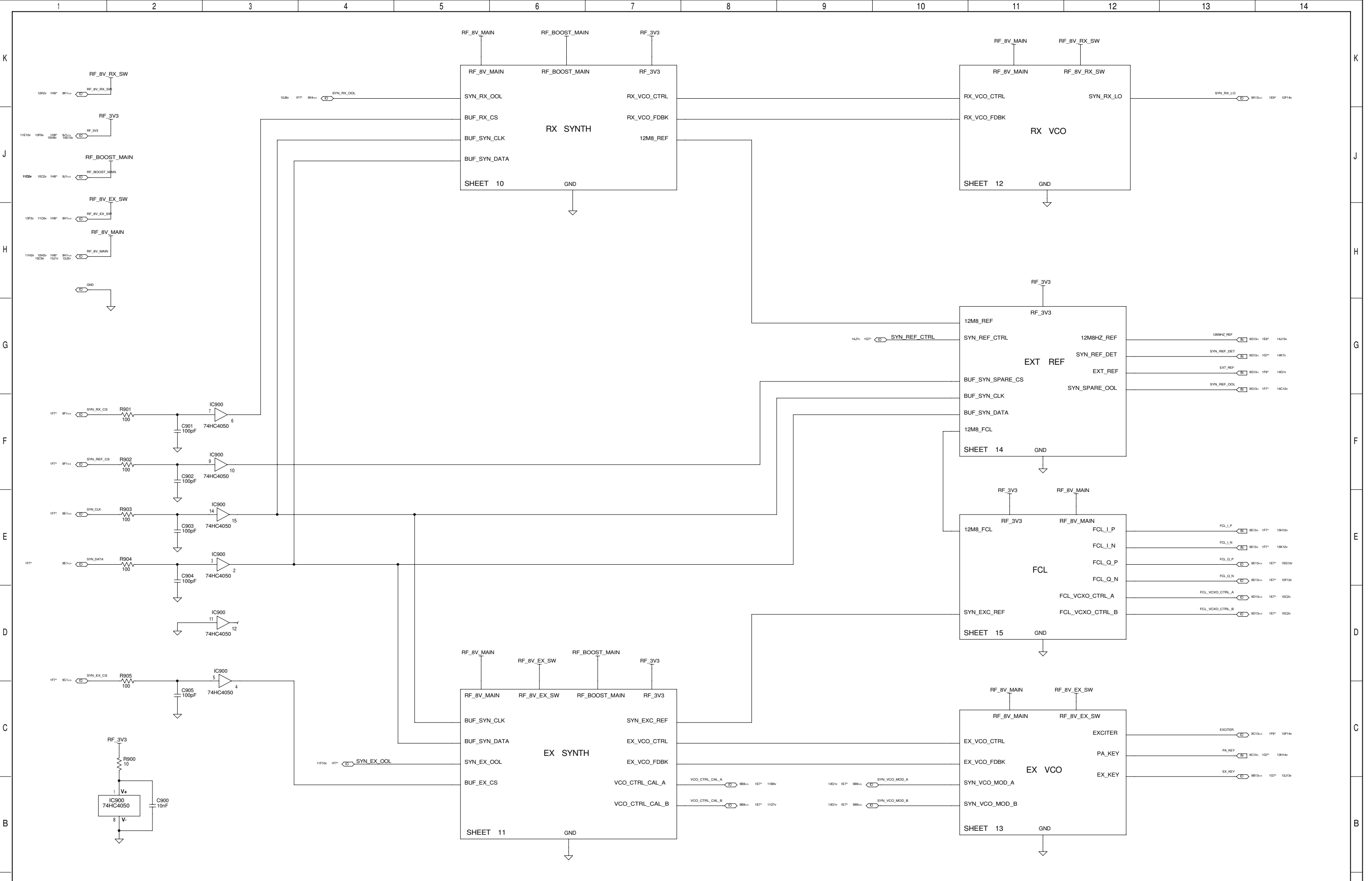
REV/ISS	AMENDMENTS	DRAWN	CHKD	D.O.	APVD	DATE
1						
2						
3						
4						
5						
6						
7						
8						
9						
10						
11						
12						
13						
14						



DNL
S800
SHIELD

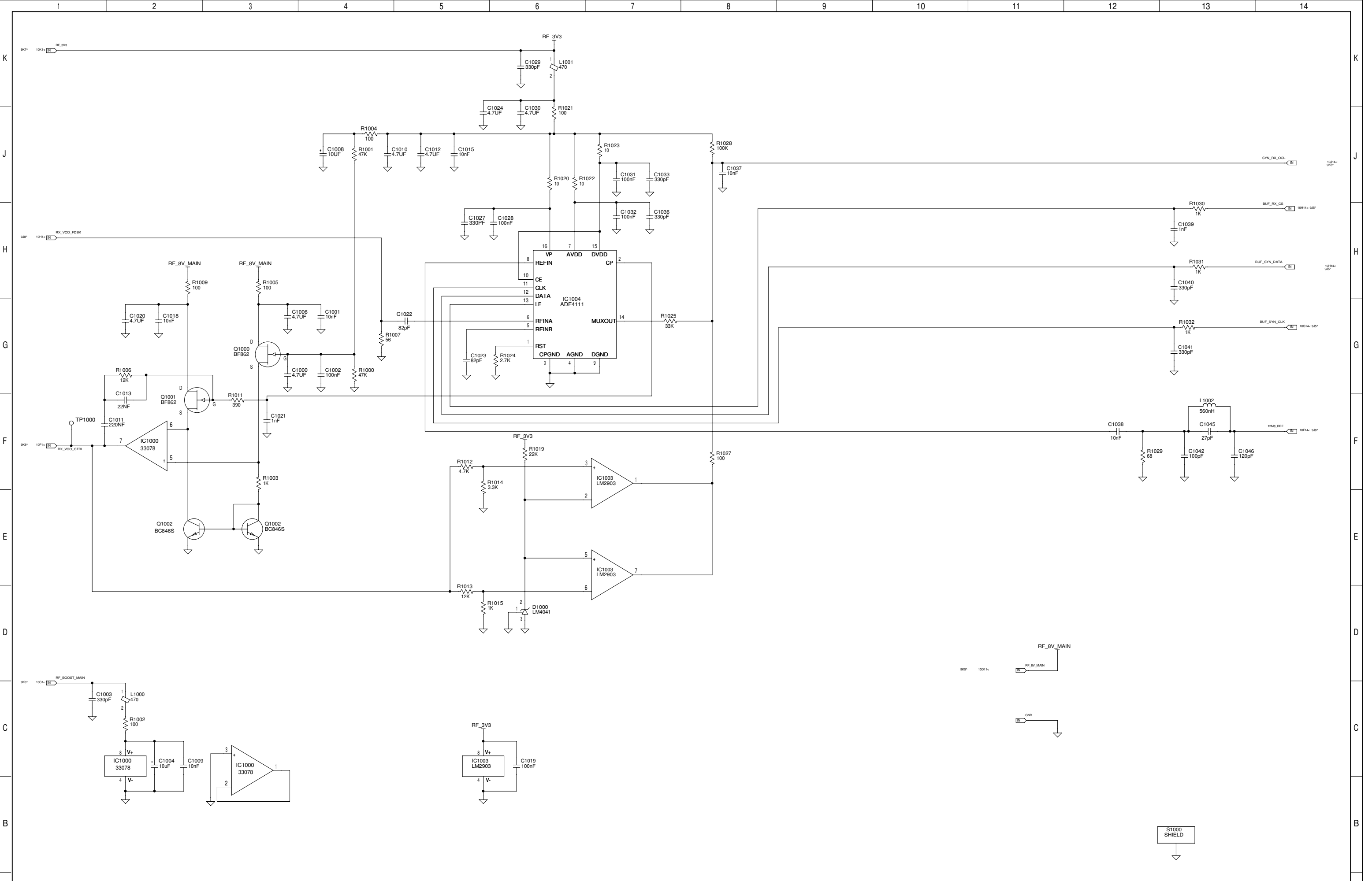
© TAIT ELECTRONICS		A1
TB8000 AGC		
IPN: 220-02025-10	ISSUE: A	VARIANT NUMBER: XBAR40H3
FILE DATE: Tue Nov 22 14:55:14 2005	SHEET NUMBER: 8 OF 15	
ENGINEER: S Heald	FILE NAME: 220_02025	SHEET NUMBER: 8 OF 15

REV/ISS	AMENDMENTS	DRAWN	CHKD	D.O.	APVD	DATE
1						
2						
3						
4						
5						
6						
7						
8						
9						
10						
11						
12						
13						
14						



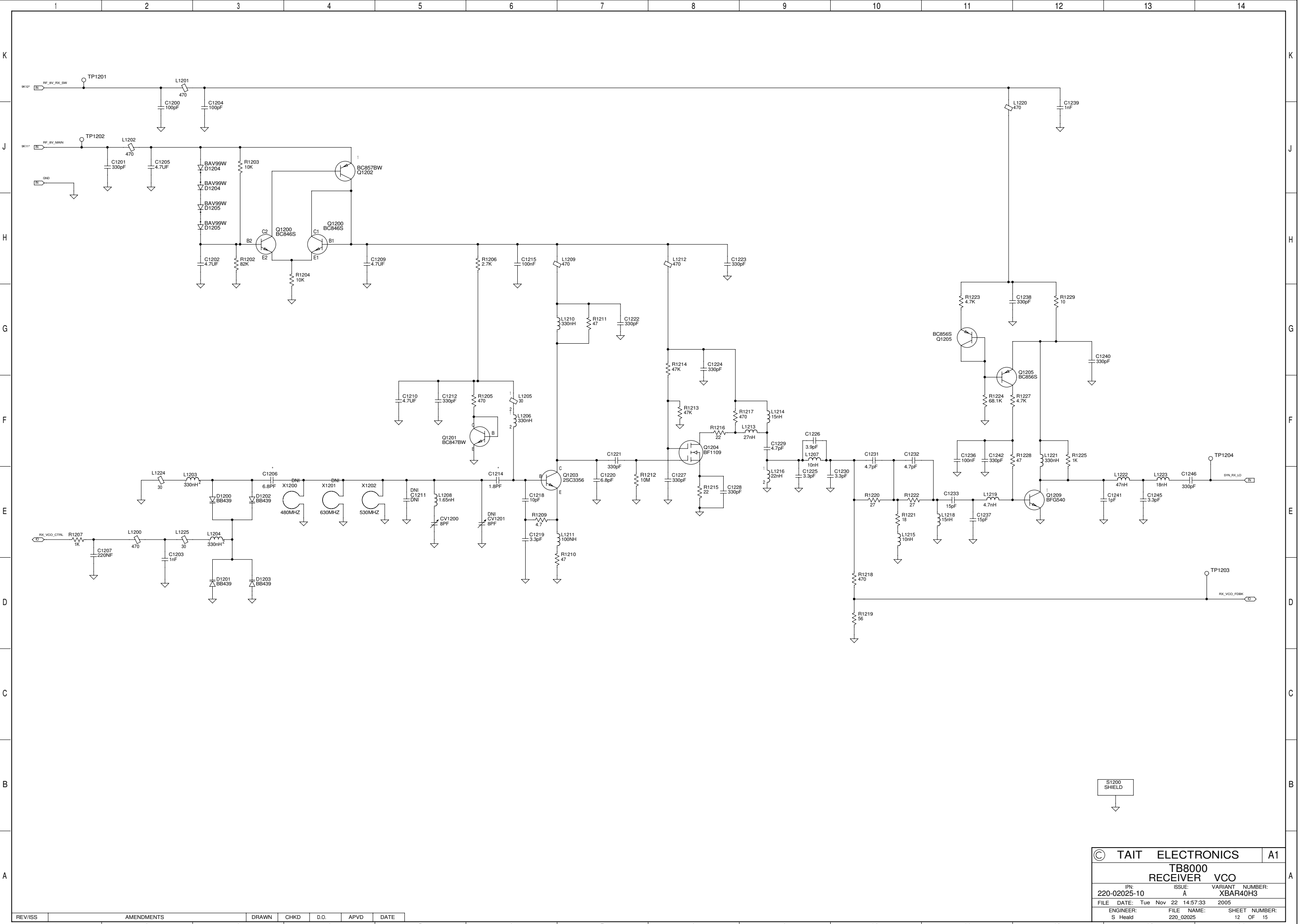
© TAIT ELECTRONICS		A1
TB8000 SYNTH & VCOS		
IPN: 220-02025-10	ISSUE: A	VARIANT NUMBER: XBAR40H3
FILE DATE: Tue Nov 22 14:55:27 2005		
ENGINEER: S Heald	FILE NAME: 220_02025	SHEET NUMBER: 9 OF 15

REV/ISS	AMENDMENTS	DRAWN	CHKD	D.O.	APVD	DATE
1						
2						
3						
4						
5						



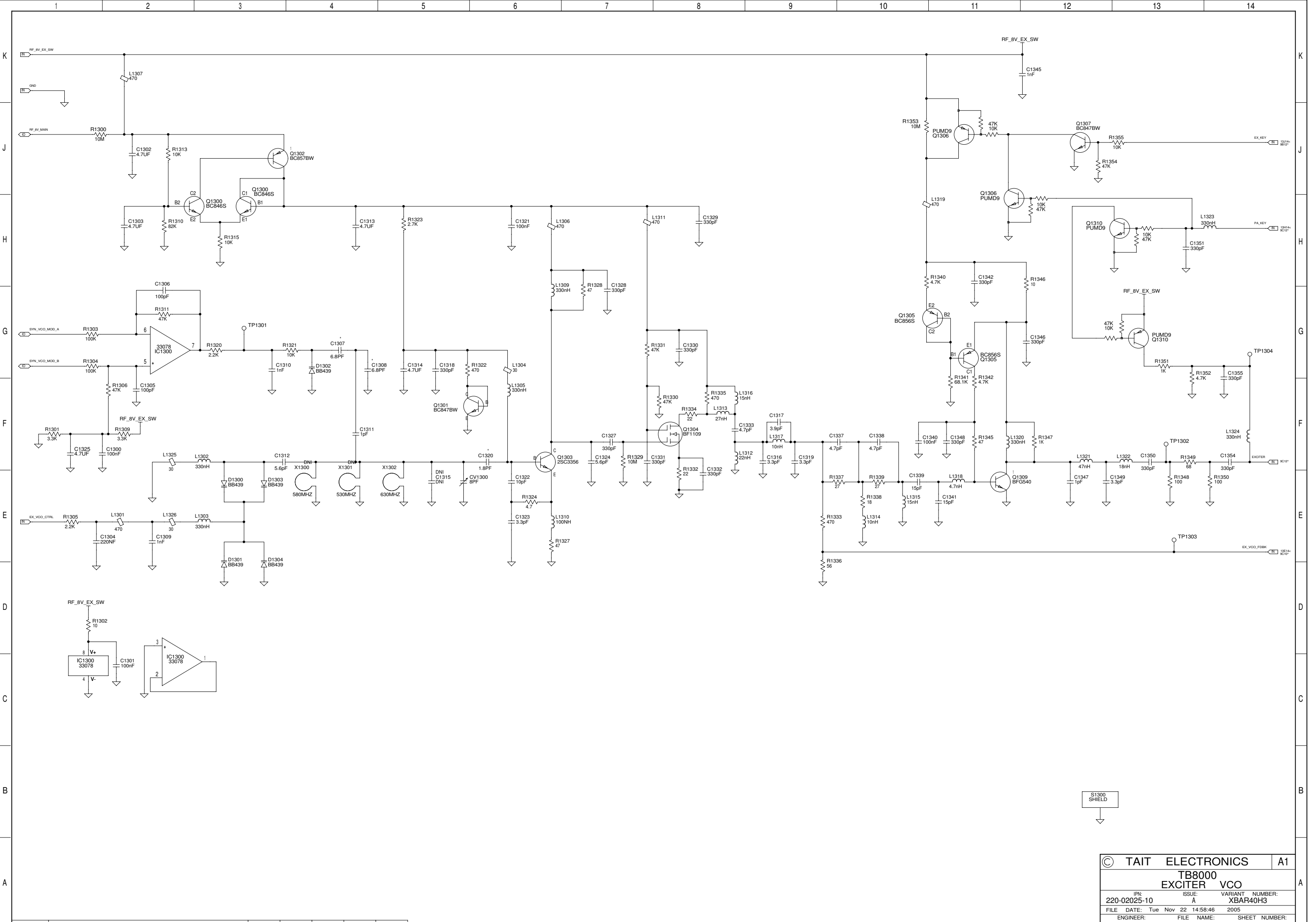
REV/ISS	AMENDMENTS	DRAWN	CHKD	D.O.	APVD	DATE
1						
2						
3						
4						
5						
6						
7						
8						
9						
10						
11						
12						
13						
14						

© TAIT ELECTRONICS		A1
TB8000		
RECEIVER SYNTH		
IPN: 220-02025-10	ISSUE: A	VARIANT NUMBER: XBAR40H3
FILE DATE: Tue Nov 22 14:55:55 2005		
ENGINEER: S Heald	FILE NAME: 220_02025	SHEET NUMBER: 10 OF 15



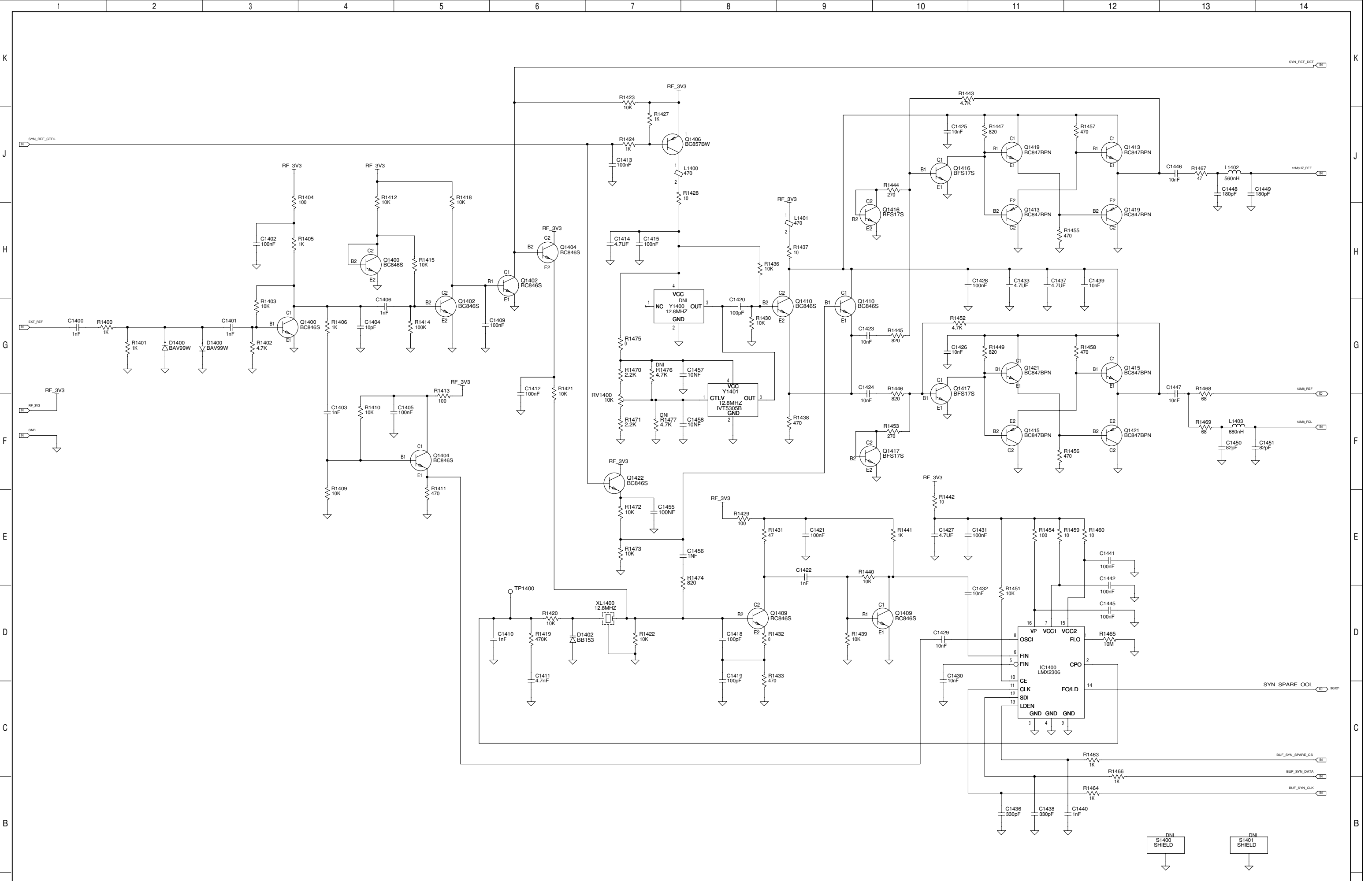
© TAIT ELECTRONICS		A1
TB8000 RECEIVER VCO		
IPN: 220-02025-10	ISSUE: A	VARIANT NUMBER: XBAR40H3
FILE DATE: Tue Nov 22 14:57:33 2005	SHEET NUMBER: 12 OF 15	
ENGINEER: S Heald	FILE NAME: 220_02025	

REV/ISS	AMENDMENTS	DRAWN	CHKD	D.O.	APVD	DATE
1						
2						
3						
4						
5						
6						
7						
8						
9						
10						
11						
12						
13						
14						



© TAIT ELECTRONICS		A1
TB8000 EXCITER VCO		
IPN: 220-02025-10	ISSUE: A	VARIANT NUMBER: XBAR40H3
FILE DATE: Tue Nov 22 14:58:46 2005		
ENGINEER: S Heald	FILE NAME: 220_02025	SHEET NUMBER: 13 OF 15

REV/ISS	AMENDMENTS	DRAWN	CHKD	D.O.	APVD	DATE
1						
2						
3						
4						
5						
6						
7						
8						
9						
10						
11						
12						
13						
14						

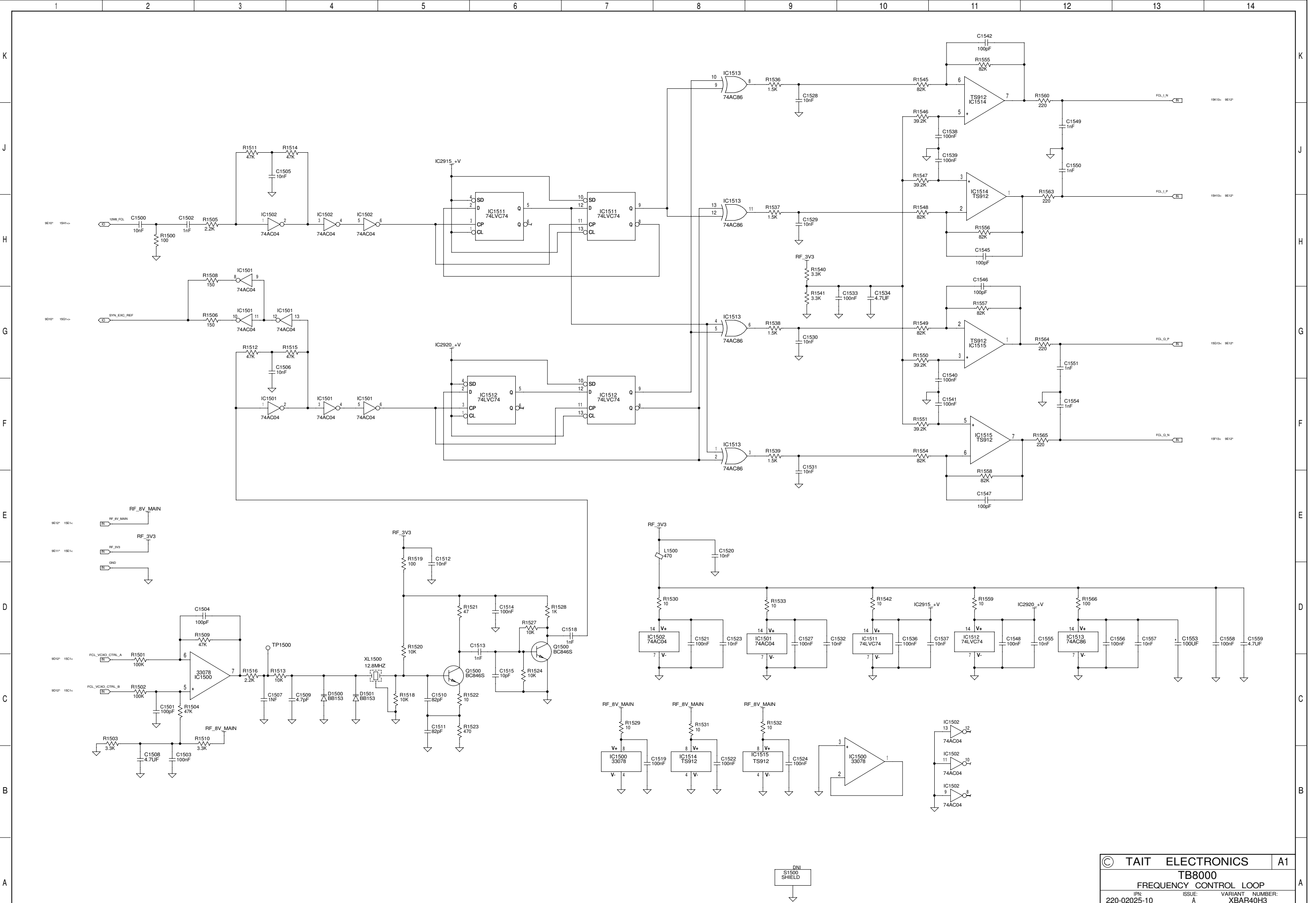


© TAIT ELECTRONICS		A1
TB8000		
EXTERNAL REFERENCE		
IPN: 220-02025-10	ISSUE: A	VARIANT NUMBER: XBAR40H3
FILE DATE: Tue Nov 22 14:59:37 2005		
ENGINEER: S Heald	FILE NAME: 220_02025	SHEET NUMBER: 14 OF 15

REV/ISS	AMENDMENTS	DRAWN	CHKD	D.O.	APVD	DATE
1						
2						
3						
4						
5						

DNI
S1400
SHIELD

DNI
S1401
SHIELD



© TAIT ELECTRONICS		A1
TB8000		
FREQUENCY CONTROL LOOP		
IPN: 220-02025-10	ISSUE: A	VARIANT NUMBER: XBAR40H3
FILE DATE: Tue Nov 22 15:00:29 2005		
ENGINEER: S Heald	FILE NAME: 220_02025	SHEET NUMBER: 15 OF 15

REV/ISS	AMENDMENTS	DRAWN	CHKD	D.O.	APVD	DATE
1						
2						
3						
4						
5						
6						
7						
8						
9						
10						
11						
12						
13						
14						